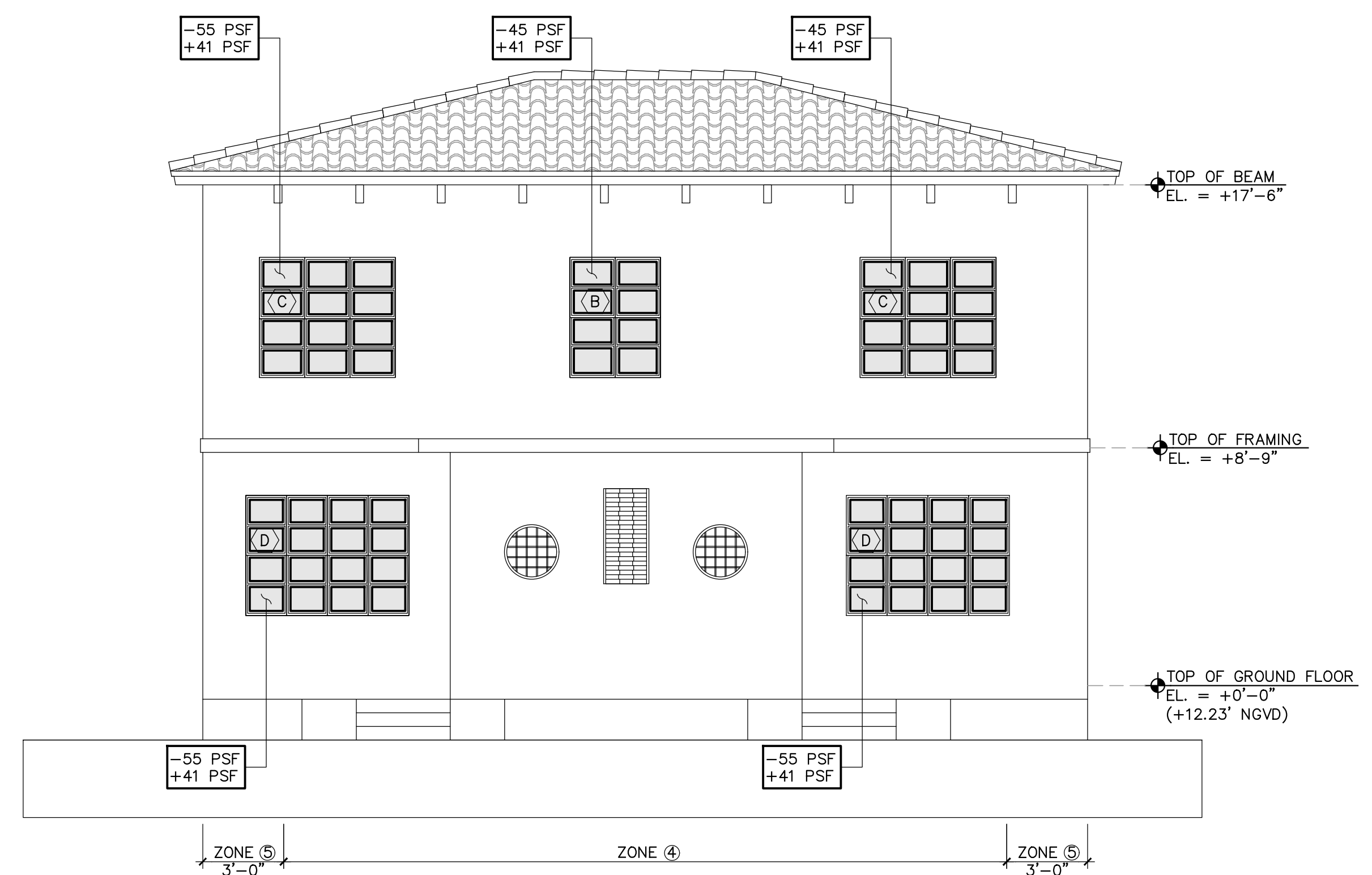
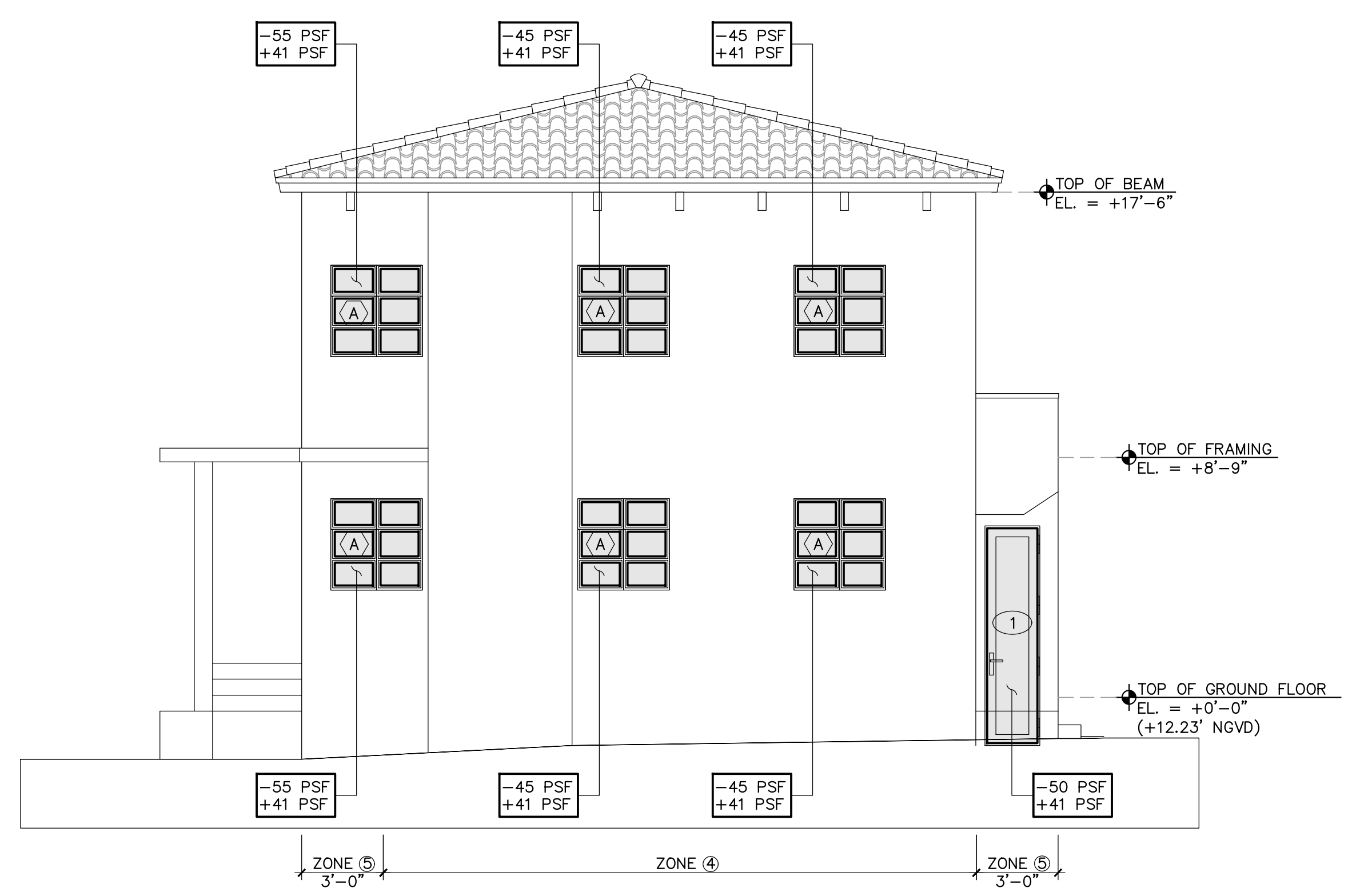


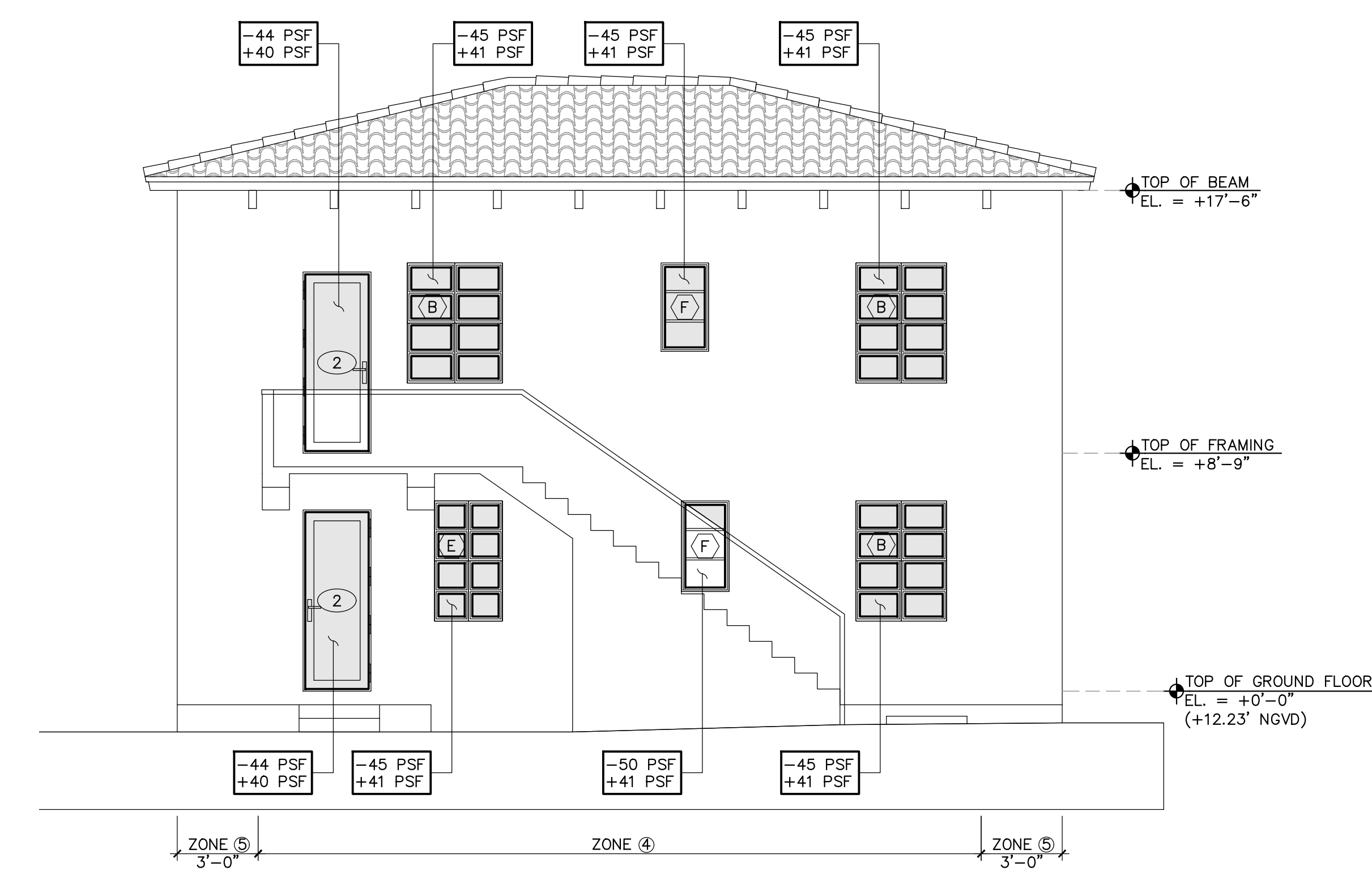
EAST ELEVATION
 SCALE : 1/4"=1'-0"



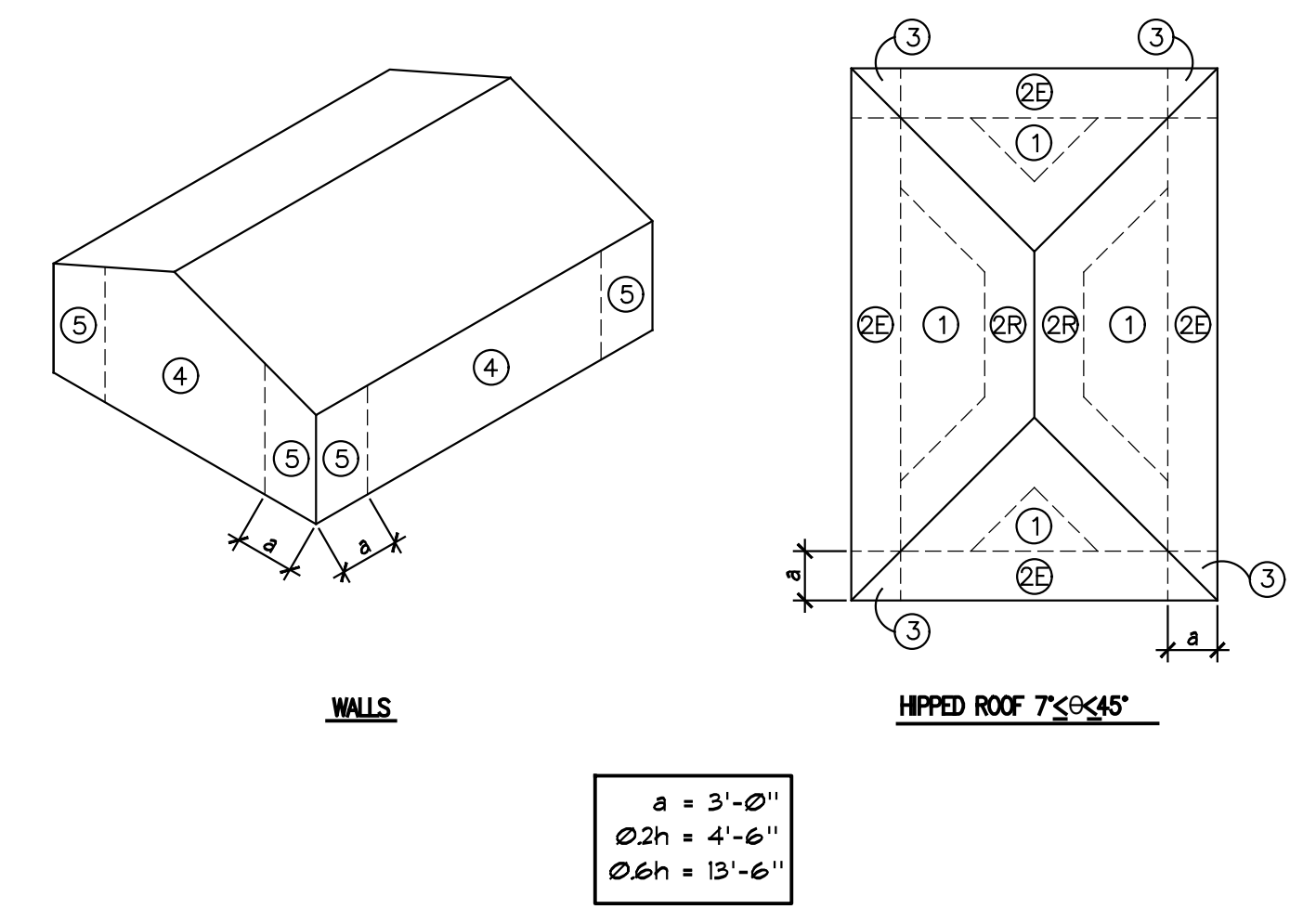
NORTH ELEVATION
 SCALE : 1/4"=1'-0"



WEST ELEVATION
 SCALE : 1/4"=1'-0"



SOUTH ELEVATION
 SCALE : 1/4"=1'-0"



- NOTES:**
- COMPONENT & CLADDING PRESSURES SHOWN HEREIN ARE GROSS & ARE BASED UPON $K_d=0.85$ & ALLOWABLE STRESS DESIGN METHOD (ASD) PER ASCE 7-16 & FLORIDA BUILDING CODE 2020 & SHALL NOT BE FURTHER REDUCED BY A FACTOR OF 0.6.
 - THESE PRESSURES ARE PROVIDED AS GENERAL GUIDELINES & ARE TO BE USED AS GENERAL INFORMATION & PERMIT ONLY.
 - IT IS THE RESPONSIBILITY OF THE WINDOW/DOOR MANUFACTURER AS A SPECIALTY ENGINEER TO CALCULATE & DETERMINE EA. WINDOW/DOOR WIND PRESSURES AS REQUIRED BY THE 2020 FBC CODE TO RESIST THE SPECIFIED DESIGN WIND PRESSURES SHOWN ON THIS PLAN.
 - ROCHELL ENGINEERING, INC. WILL NOT BE RESPONSIBLE FOR ANY DEFICIENCIES CREATED BY IMPROPER DESIGN, ERECTION, INSTALLATION OR OTHER OPERATIONS RELATED TO THE WINDOW/DOOR SYSTEM PART OF THIS PROJECT.
 - ALL EXTERIOR WINDOW & DOOR ASSEMBLY PRODUCT APPROVALS (NOA) SHALL BE SUBMITTED ALONG WITH THE CONTRACT DRAWINGS TO THE AGENCY HAVING JURISDICTION FOR REVIEW AND APPROVAL PRIOR TO INSTALLATION.

WIND LOADS PER ASCE 7-16 & 2020 FBC

THIS STRUCTURE HAS BEEN DESIGNED AS "ENCLOSED" & REQUIRES IMPACT RESISTANT GLASS OR SHUTTERS TO COMPLY WITH FBC SECTIONS 1609.1.2 & 1626

WIND LOADS ON COMPONENTS & CLADDING

ZONE	10 SQ. FT.	20 SQ. FT.	50 SQ. FT.	100 SQ. FT.	200 SQ. FT.	500 SQ. FT.
①	-69.1	-69.1	-53.9	-41.2	-41.2	-41.2
②E	-96.9	-87.3	-75.1	-63.7	-55.1	-55.1
②R	-89.9	-81.1	-69.9	-59.5	-51.6	-51.6
③	-96.9	-87.3	-75.1	-63.7	-55.1	-55.1
④	-44.6	-42.8	-40.5	-38.3	-36.5	-34.2
⑤	-55.1	-51.4	-46.7	-42.4	-38.9	-34.2
④&⑤	+41.1	+39.3	+37.0	+34.8	+33.0	+30.7

VALUES TO BE USED FOR ROOFING PRESSURES

TO THE BEST OF MY KNOWLEDGE THESE PLANS CONFORM TO THE STRUCTURAL REQUIREMENTS OF F.B.C. 2020, LATEST REVISIONS, INCLUDING SECTIONS PERTAINING TO H.V.H.Z.

ENGINEER OF RECORD HEREBY EXPRESSLY RESERVES HIS COMMON LAW COPYRIGHT AND OTHER PROPERTY RIGHTS IN THESE PLANS. THIS DESIGN AND DRAWING ARE NEITHER TO BE REPRODUCED, COPIED, NOR CHANGED IN ANY FORM OR MANNER WHATSOEVER, NOR ASSIGNED TO ANY PARTY WITHOUT FIRST OBTAINING THE EXPRESS WRITTEN PERMISSION AND CONSENT OF ROCHELL ENGINEERING, INC.

ALEXANDER ROCHELL
 FL P.E. #60735
 1500 NW 89th Court, Suite 212
 Doral, Florida 33172
 TEL: 305.648.4049 - FAX: 305.648.4149

